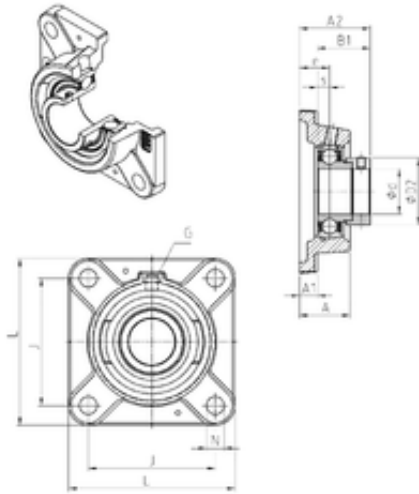


SNR ESFE206 bearing units

Bearing No. ESFE206



ESFE206 Bearing 2D drawings and 3D CAD models

Bore Diameter	30 mm
d	30 mm
e	20 mm
s	9 mm
A	33,5 mm
A1	12 mm
B1	35,7 mm
D2	44,5 mm
J	82,5 mm
L	108 mm
N	11,5 mm
Thread (G)	R1/8"
A2	46,7 mm
Weight	1,2 Kg
Basic dynamic load rating (C)	19,5 kN