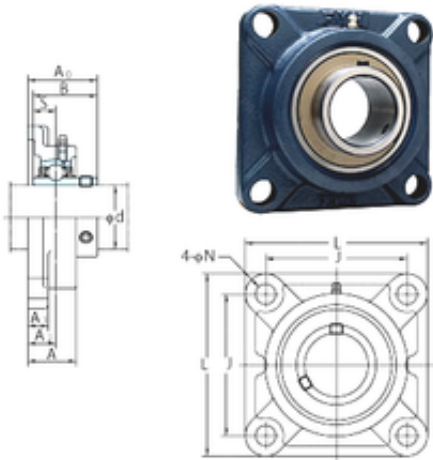


FYH UCF206-19E bearing units



Bearing No. UCF206-19E

Bore Diameter	30,1625 mm
d	30,1625 mm
A0	40,2 mm
A	31 mm
A1	13 mm
B	38,1 mm
J	83 mm
L	108 mm
N	13 mm
S	15,9 mm
Bolt (G)	7/16
A2	18 mm
Weight	1,1 Kg
Basic dynamic load rating (C)	19,5 kN
Basic static load rating (C0)	11,3 kN

UCF206-19E Bearing 2D drawings and 3D CAD models