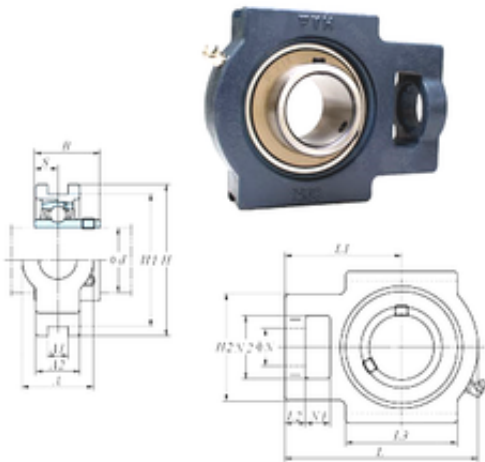


FYH UCT211-32 bearing units



Bearing No. UCT211-32

| | |
|-------------------------------|---------|
| Bore Diameter | 50,8 mm |
| d | 50,8 mm |
| L2 | 19 mm |
| L3 | 95 mm |
| A | 64 mm |
| A1 | 22 mm |
| B | 55,6 mm |
| H | 146 mm |
| H1 | 130 mm |
| H2 | 102 mm |
| L | 171 mm |
| L1 | 106 mm |
| N | 35 mm |
| N1 | 25 mm |
| S | 22,2 mm |
| A2 | 38 mm |
| N2 | 64 mm |
| Weight | 4 Kg |
| Basic dynamic load rating (C) | 43,4 kN |
| Basic static load rating (C0) | 29,4 kN |

UCT211-32 Bearing 2D drawings and 3D CAD models