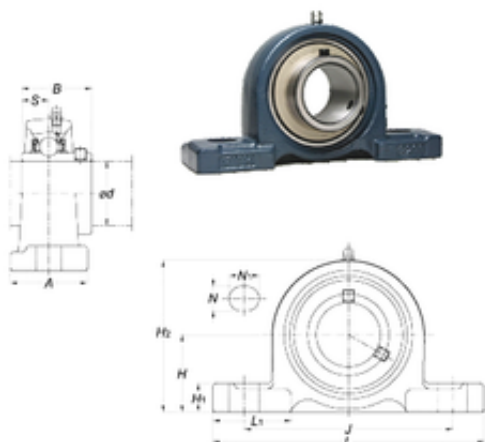


FYH UCPX07-22 bearing units



Bearing No. UCPX07-22

Bore Diameter	34,925 mm
Width	49,2 mm
d	34,925 mm
A	57 mm
B	49,2 mm
H	54 mm
H1	19 mm
H2	105 mm
J	144 mm
L	203 mm
L1	64 mm
N	17 mm
N1	30 mm
S	19 mm
Bolt (G)	M14
Weight	2,7 Kg
Basic dynamic load rating (C)	29,1 kN
Basic static load rating (C0)	17,8 kN

UCPX07-22 Bearing 2D drawings and 3D CAD models