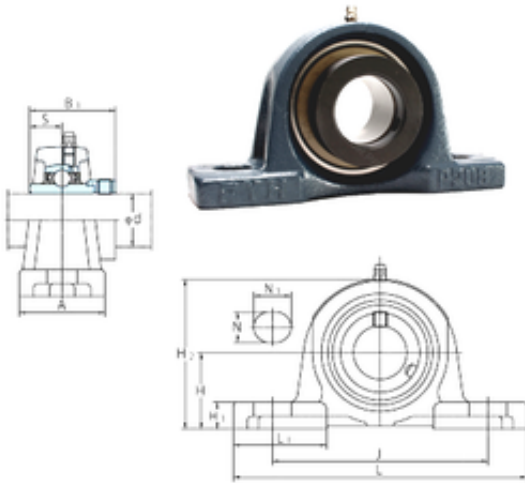


FYH NAP207-20 bearing units



Bearing No. NAP207-20

| | |
|-------------------------------|----------|
| Bore Diameter | 31,75 mm |
| Width | 47,6 mm |
| d | 31,75 mm |
| A | 48 mm |
| B1 | 51,1 mm |
| H | 47,6 mm |
| H1 | 16 mm |
| H2 | 93 mm |
| J | 127 mm |
| L | 167 mm |
| L1 | 51 mm |
| N | 17 mm |
| N1 | 21 mm |
| S | 18,8 mm |
| Bolt (G) | M14 |
| Weight | 1,8 Kg |
| Basic dynamic load rating (C) | 25,7 kN |

NAP207-20 Bearing 2D drawings and 3D CAD models