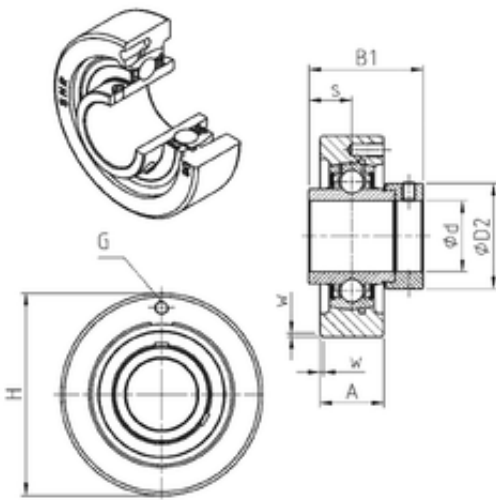


SNR EXC202 bearing units

Bearing No. EXC202



EXC202 Bearing 2D drawings and 3D CAD models

Bore Diameter	15 mm
d	15 mm
s	17 mm
A	20 mm
B1	43,5 mm
D2	33,3 mm
H	72 mm
W	1,5 mm
Thread (G)	M6x1
Weight	0,6 Kg
Basic dynamic load rating (C)	12,8 kN
B	34 mm
A3	1.5 mm
A5	17 mm
d1	32.4 mm
G	M6x1
s1	30.5 mm
S	17 mm
SW	3 mm
C	12.8 kN
C0	6.65 kN
T min.	-20 ° C
T max.	100 ° C
Recommended tightening torque for set screw	5.5 Nm
Designation of housing	C204-



USTRIAL PAF

NTN BEARING USA CORP.

Designation of bearing

EX202G2
