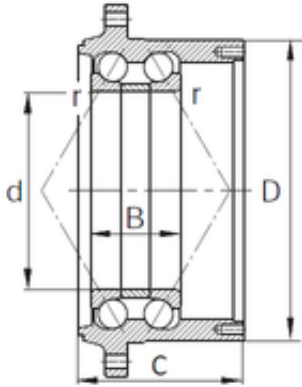


## 320 mm x 456 mm x 118.2 mm KBC SDA0107 angular contact ball bearings



Bearing No. SDA0107

Size	320x456x118.2 mm
Bore Diameter	320 mm
Outer Diameter	456 mm
Width	118.2 mm
d	320 mm
D	456 mm
B	118.2 mm
C	217 mm
Angle ( ° )	30 °
a	282.3 mm
r min.	3.1 mm
Basic dynamic load rating (C)	576,5 kN

SDA0107 Bearing 2D drawings and 3D CAD models