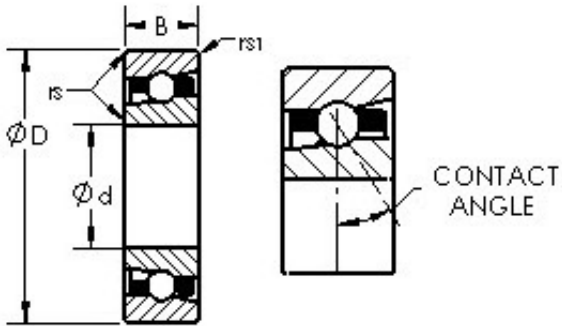


**AST H71940AC/HQ1 angular contact ball bearings**



Bearing No. H71940AC/HQ1

Size	200x280x38 mm
Bore Diameter	200 mm
Outer Diameter	280 mm
Width	38 mm
Bearing Type	25 deg contact, high speed
Bore Dia (d)	200.0000
Outer Dia (D)	280.0000
Width (B)	38.0000
Radius (min) (rs)	2.000
Dynamic Load Rating (Cr)	78,200
Static Load Rating (Cor)	99,500
Max Speed (Grease) (X1000 RPM)	5
Max Speed (Oil) (X1000 RPM)	7
Radius (min) (rs1)	1.000
Material	52100 Chrome steel (or equivalent)

H71940AC/HQ1 Bearing 2D drawings and 3D CAD models