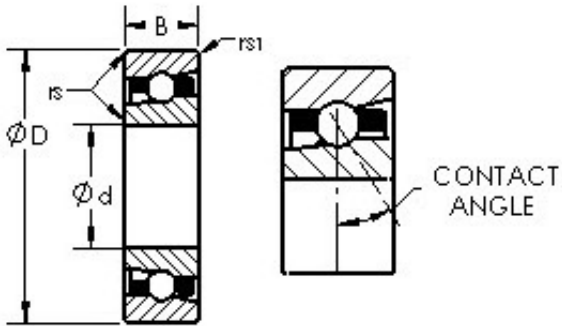


## AST H71915C/HQ1 angular contact ball bearings



Bearing No. H71915C/HQ1

Size	75x105x16 mm
Bore Diameter	75 mm
Outer Diameter	105 mm
Width	16 mm
Bearing Type	15 deg contact, high speed
Bore Dia (d)	75.0000
Outer Dia (D)	105.0000
Width (B)	16.0000
Radius (min) (rs)	1.000
Dynamic Load Rating (Cr)	21,700
Static Load Rating (Cor)	19,300
Max Speed (Grease) (X1000 RPM)	17
Max Speed (Oil) (X1000 RPM)	28
Radius (min) (rs1)	0.300
Material	52100 Chrome steel (or equivalent)

H71915C/HQ1 Bearing 2D drawings and 3D CAD models